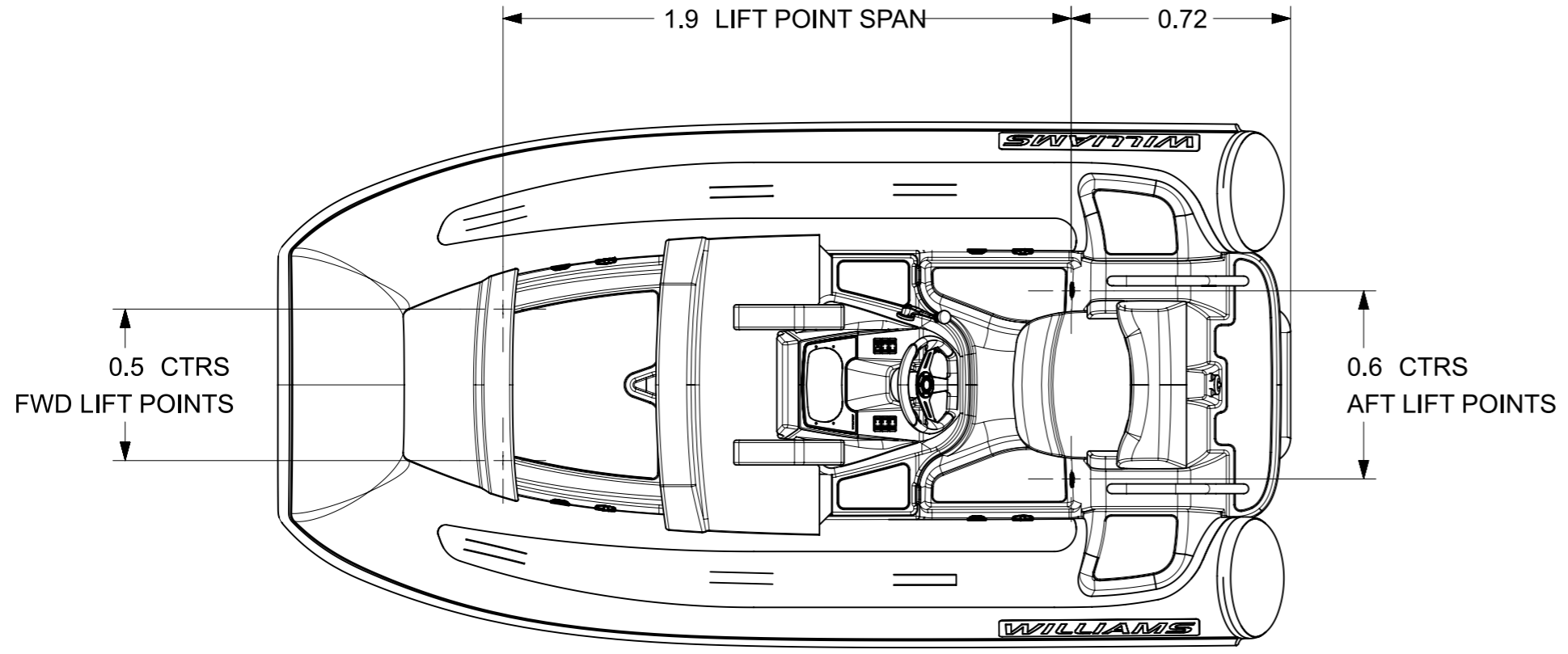
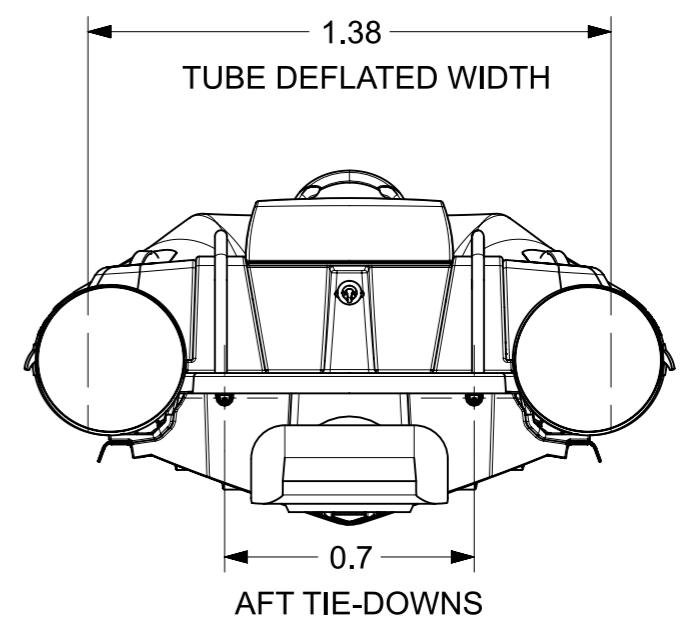
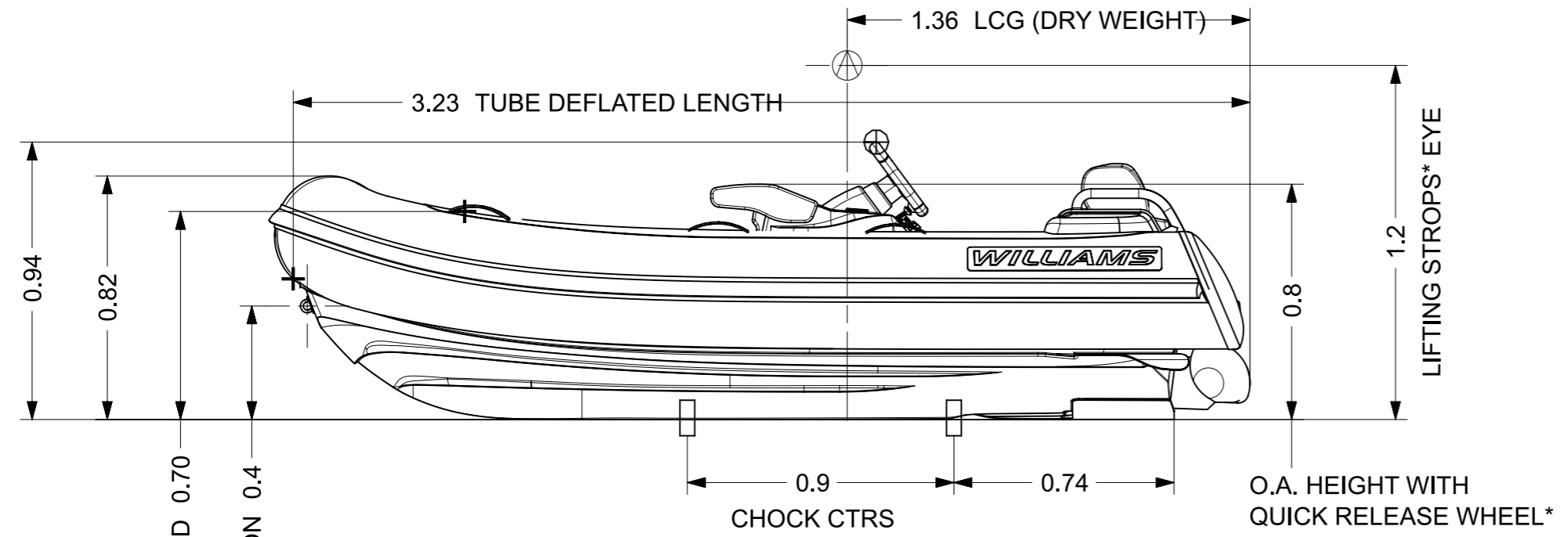


TURBOJET 325

LENGTH O.A.	3.29m (±1.%)
BEAM O.A.	1.70m (±1.5%)
DRAFT (FULLY LOADED)	0.23m / 0.35m
ENGINE	Rotax ACE 90 ECT
POWER	90hp ≅ 66.19kW
DRY WEIGHT	319kg
SEATING CAPACITY	4 + 1 child
FUEL	PETROL
FUEL CAPACITY	40L
MAX. SPEED	48mph ≅ 77kph
No. TUBE COMPARTMENTS	4
CE DESIGN CATEGORY	C



- NOTES:
1. LENGTH/ BEAM TOLERANCE DUE TO VARIATION IN TUBE AIR PRESSURE.
 2. AVERAGE DRY WEIGHT STATED; ACTUAL WEIGHT DEPENDANT ON OPTIONS FITTED.
 3. STANDARD CHOCKS*: 99-0152
CHOCK PROFILES DRAWING: RD1014



REV.	DATE	DETAILS	WE DRAWN	DBS APPV'D
1	11/08/21	PRODUCTION RELEASE	WE	DBS

NOT FOR PUBLICATION - THIS DRAWING IS THE PROPERTY OF WILLIAMS JET TENDERS LTD. AND IS ISSUED ON CONDITION THAT IT IS NOT COPIED, RE-PRINTED OR DISCLOSED EITHER WHOLLY OR IN PART TO ANY THIRD PARTY NOT AUTHORISED TO RECEIVE IT

NAME	DATE
DRAWN WE	11/08/2021
APPV'D DBS	11/08/2021
PROJECT:	-
INSPECTION LEVEL:	-
MATERIAL & FINISH	-
GENERAL TOL.	0 ±0.50 0.0 ±0.25 0.00 ±0.10 0 ±0.50*

WILLIAMS

TITLE: **TURBOJET 325 (2022MY)**

PART NO.: **WPT-000325TJ2022MY-DATASHEET-dwg**

SCALE 1:20

SHEET 1 OF 1

A3